



Series 181 Thru 183 90° Pin Staked Flex Jumpers

FEATURES:

- Aries 90° Pin Staked Flex Jumpers combine thin, flexible, solid Copper conductors embedded between layers of tough, flexible, flame-retardant insulation.
- Consult factory for cable lengths under 2.000 [50.80].
- See Data Sheet 11005 for Flat Pin Staked Flex Jumpers

GENERAL SPECIFICATIONS:

- Standard cable insulation is white UL VW-1, Style 2643 flame retardant Polyester (Mylar) adhesive.
- High temperature flame retardant cable insulation is Polyimide (Kapton) insulation with acrylic adhesive.
- Cable conductors are solid Copper with a cross-sectional area equivalent to that of 26 gauge AWG.
- Female housing is black UL 94V-0 Glass-filled Stanyl 4/6 Nylon.
- Female and male "crimp-on" pins are spring-tempered Copper Alloy 510.
- Female and male pin plating:
 T = 100µ" [2.54µm] min. Matte Tin per ASTM-B545-97 over 50µ" Min. Nickel per ASTM-AMS-QQ-N-290
 TL = 100µ" [2.54µm] min. 93/7 Tin/Lead per SAE-AMS-P-81728 over 50µ" [1.27µm] min. Nickel per SAE-AMS-QQ-N-290.
- Cable current rating=3 Amps
- Cable voltage rating=300 Volts
- Cable dielectric strength=2500 Volts/mil, minimum (standard)
 =4000 Volts/mil, minimum (high temp)
- Cable insulation resistance=1000 MOhms minimum (standard)
 =100,000 MOhms (high temp)
- Conductor/Contact Resistance (avg.) = 20mOhms initial (max. 20mOhm increase) based on a 2" cable @20°C.
- Operating temperature=67 to 257°F [-55 to 105°C].
- Female housing accepts leads .024-.030 [.61-.76] square, .150 [3.81] long minimum.

MOUNTING CONSIDERATIONS:

- Suggested PCB hole size=.032± .002 .81 ± .05] dia.



Note: Aries specializes in custom design and production. In addition to the standard products shown on this page, special materials, platings, sizes, and configurations can be furnished, depending on quantities. Aries reserves the right to change product specifications without notice.

ALL DIMENSIONS: INCHES [MILLIMETERS]

All tolerances ± .005 [.13] unless otherwise specified

Kapton is a registered trademark for DuPont

**Aries reserves the right to ship with or without a polarization stripe unless otherwise specified by customer

"A"=NO. OF CONDUCTORS X .100 [2.54]

"B"=(NO. OF CONDUCTORS -1) X .100 [2.54]

ORDERING INFORMATION

XX-XXXX-18X X X XX XX		Optional Suffix: "HT"=High temperature cable insulation		
No. of Conductors: (4 - 40)		Optional Suffix: "TL" = Tin/Lead Plating		
Cable Length: "L" in inches Min. Cable Length = 2.00" (-.002) 2" = -.002- 2.5" = -.002.5- 2.25" = -.002.25- 2.125" = -.002.125-		Optional Suffix: "P"=Polarization stripe included		
Jumper Series: 181: Male both ends 182: Male/Female (tin) 183: Female (tin) both ends	Bend Options: "A" = Both ends bent 90°, same direction "B" = One male end bent 90° "C" = Both ends bent 90°, opposite direction "D" = One female end bent 90°			
XX-XXXX-181A XX-XXXX-181AP XX-XXXX-181ATL XX-XXXX-181AHT XX-XXXX-181APTL XX-XXXX-181APH XX-XXXX-181APTLHT XX-XXXX-181B XX-XXXX-181BP XX-XXXX-181BTL XX-XXXX-181BHT XX-XXXX-181BPTL XX-XXXX-181BPHT XX-XXXX-181BPTLHT	XX-XXXX-181C XX-XXXX-181CP XX-XXXX-181CTL XX-XXXX-181CHT XX-XXXX-181CPTL XX-XXXX-181CPHT XX-XXXX-181CPTLHT XX-XXXX-182A XX-XXXX-182AP XX-XXXX-182ATL XX-XXXX-182AHT XX-XXXX-182APTL XX-XXXX-182APHT XX-XXXX-182APTHT	XX-XXXX-182B XX-XXXX-182BP XX-XXXX-182BTL XX-XXXX-182BHT XX-XXXX-182BPTL XX-XXXX-182BPHT XX-XXXX-182BPTLHY XX-XXXX-182C XX-XXXX-182CP XX-XXXX-182CTL XX-XXXX-182CHT XX-XXXX-182CPTL XX-XXXX-182CPHT XX-XXXX-182CPTLHT	XX-XXXX-182D XX-XXXX-182DP XX-XXXX-182DTL XX-XXXX-182DHT XX-XXXX-182DPTL XX-XXXX-182DPHT XX-XXXX-182DPTLHT XX-XXXX-183A XX-XXXX-183AP XX-XXXX-183ATL XX-XXXX-183AHT XX-XXXX-183APTL XX-XXXX-183APHT XX-XXXX-183APTHT	XX-XXXX-183C XX-XXXX-183CP XX-XXXX-183CTL XX-XXXX-183CHT XX-XXXX-183CPTL XX-XXXX-183CPHT XX-XXXX-183CPTLHT XX-XXXX-183D XX-XXXX-183DP XX-XXXX-183DTL XX-XXXX-183DHT XX-XXXX-183DPTL XX-XXXX-183DPHT XX-XXXX-183DPTLHT



NORTH AMERICA
Frenchtown, NJ USA
TEL: (908) 996-6841
FAX: (908) 996-3891



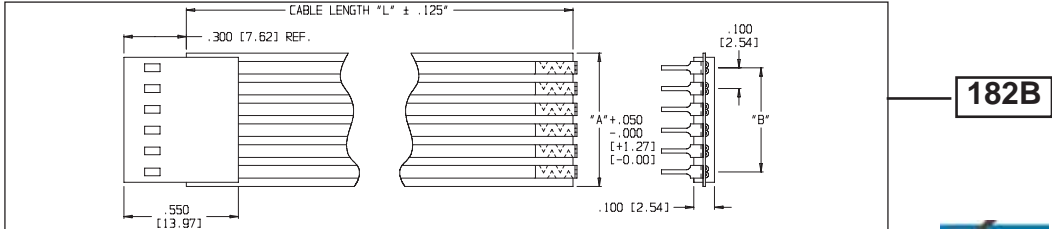
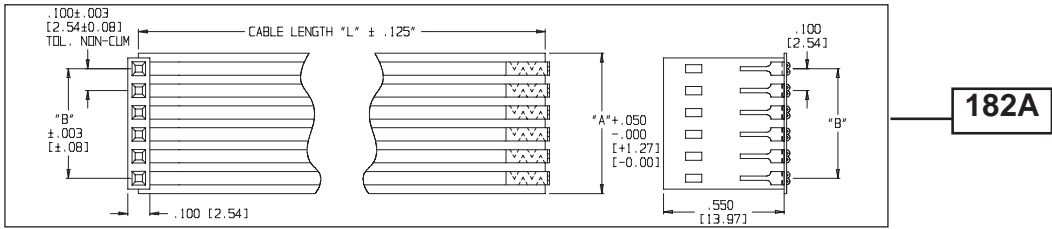
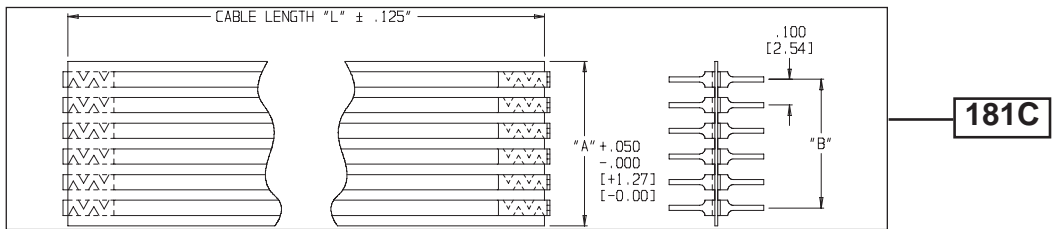
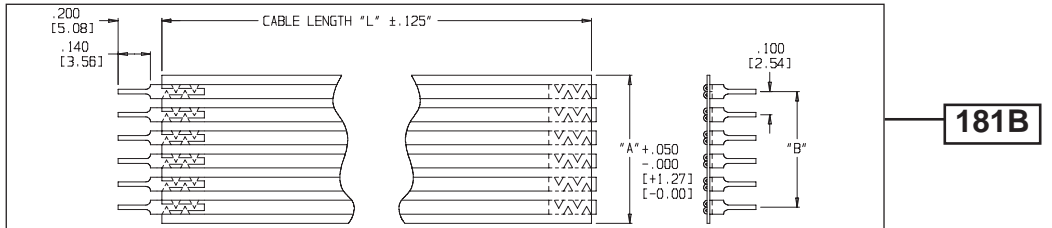
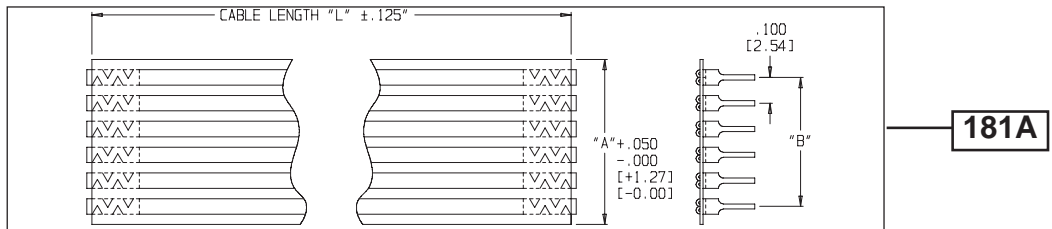
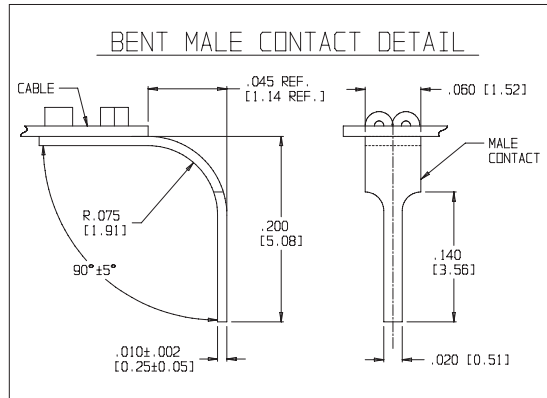
EUROPE
TEL: +44 870 240 0249
FAX: +44 871 919 6033
europe@arieselec.com



11019
REV.1
Page
1 of 3



Series 181 Thru 183 90° Pin Staked Flex Jumpers



<http://www.arieselec.com> • info@arieselec.com

NORTH AMERICA
 Frenchtown, NJ USA
 TEL: (908) 996-6841
 FAX: (908) 996-3891



EUROPE
 TEL: +44 870 240 0249
 FAX: +44 871 919 6033
 europe@arieselec.com

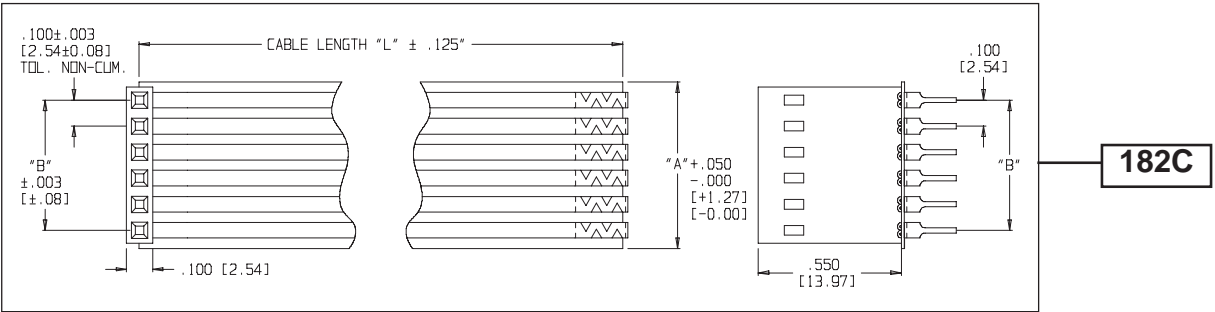


11019
 REV. 1
 Page 2
 of 3

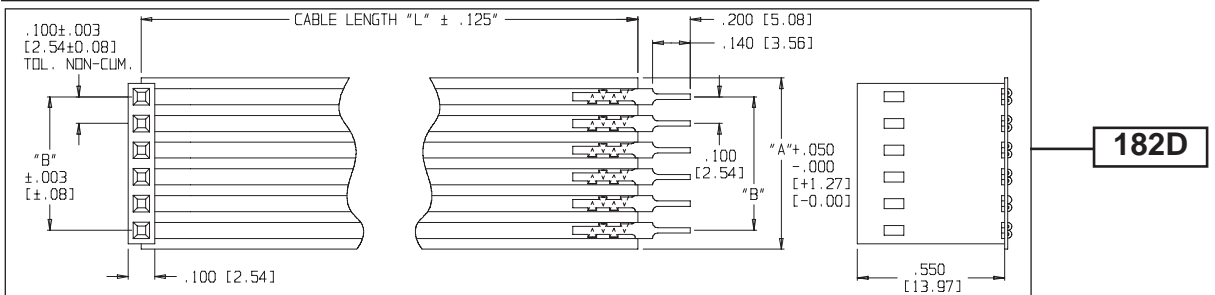


Series 181 Thru 183

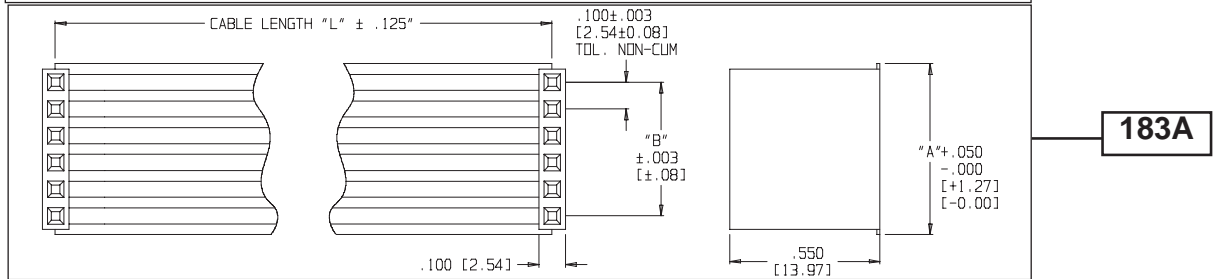
90° Pin Staked Flex Jumpers



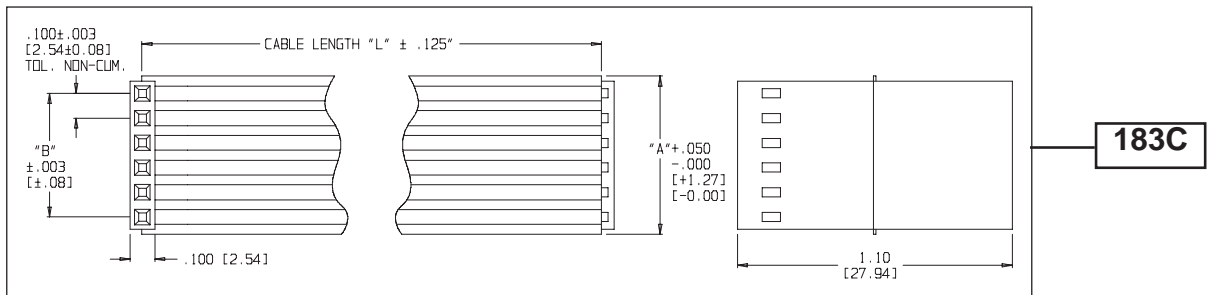
182C



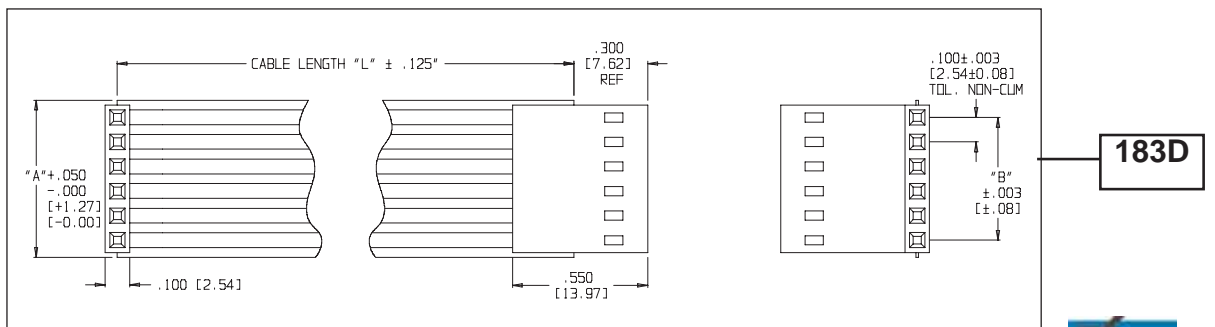
182D



183A



183C



183D



NORTH AMERICA
Frenchtown, NJ USA
TEL: (908) 996-6841
FAX: (908) 996-3891



EUROPE
TEL: +44 870 240 0249
FAX: +44 871 919 6033
europa@arieselec.com



11019
REV. I
Page 3
of 3